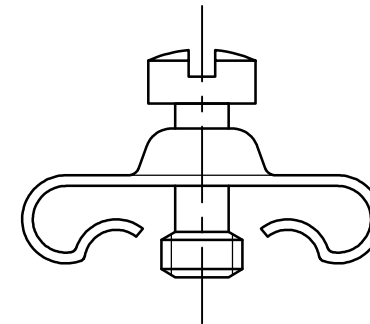


NOTES

Packaging:
per 100 pieces.

Corrosion resistance:
24 hours exposure to salt spray

ASSEMBLY VIEW



Part number	863008AT
Part number	863008ATLF

European Views

www.fciconnect.com		surface ISO 1302	<input checked="" type="checkbox"/>	tolerance std ISO 406 ISO 1101	projection 	mm
TOLERANCES UNLESS OTHERWISE SPECIFIED						
Dr	JOUBERT	1994/07/01	ANGULAR	0.X	±0.1	size A3
Eng	PESSON	1994/07/01	LINEAR	0.XX	±0.1	Scale 5
Chr	LEGARE	1994/07/01	0.XX' ±2'	0.XXX	±0.1	ECN LS06-0097
Appr	LEGARE	1994/07/01	Product family	D-SUB		Spec ref -
		title MALE SCREW LOCKS			dwg no C01-8655-0653	
catalog no		-			Rev. D	

NOTE:RoHS INFORMATIONS

- The "LF" products meet European union Directives and other country regulations as described in GS-22-008.
- Plating Sn (pure bright) over copper
- Packaging spec: see GS-14-920

rev	ecn no	dr	date
B	-	JOU	2003/01/28
C	LS05-0026	MPE	2005/07/08
D	LS06-0097	LGO	2006/07/28
-	-	-	-
-	-	-	-
-	-	-	-



Copyright FCI.